



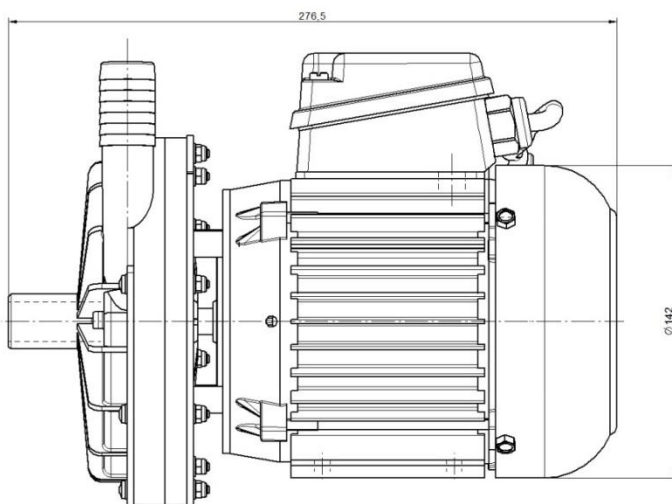
# HANNING

moving ■■■ ideas

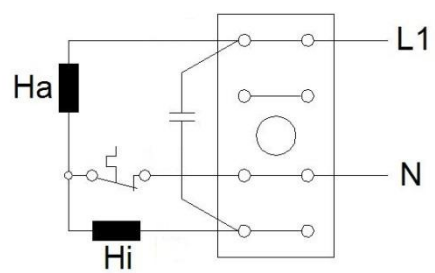
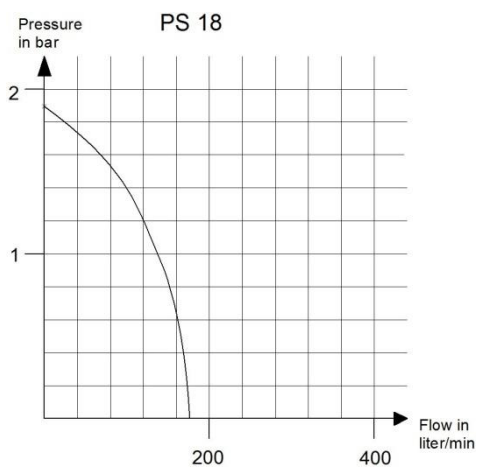
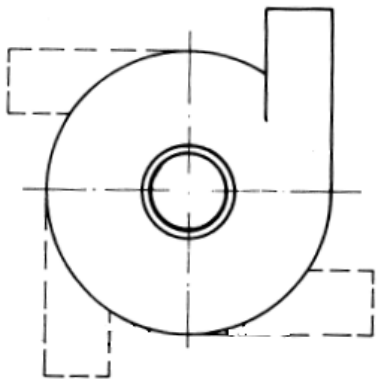
## haflowtic PS 18 data sheet



### Technical data



Description	Specification
Voltage	200–240 V
Frequency	50 (60 Hz on request)
Thermal protector	1~ internal/ 3~ on request
Degree of protection	IP00 (or IP54 on request)
Ambient temperature up to 60° C	Higher on request
Insulation class	F
Phase	1 ~
Life time	Depends on application and medium to be pumped
Medium ph-level	7 (3-11 with PP)/ to be tested in the application
Pump housing	Plastic PP/PA glas fibre reinforced
Impeller	Plastic PP/PA glas fibre reinforced
Sealing rubbers Mechanical seal	On request
Connection (customizable)	Screw connection for capacitor and cable (Ø 5-9 mm & 6-12 mm)
Capacitor (customizable)	
Approvals	On request (VDE, UL, CSA)
Draining nozzle	Optional
Inner diameter in/outlet	18/19 mm



Notes

