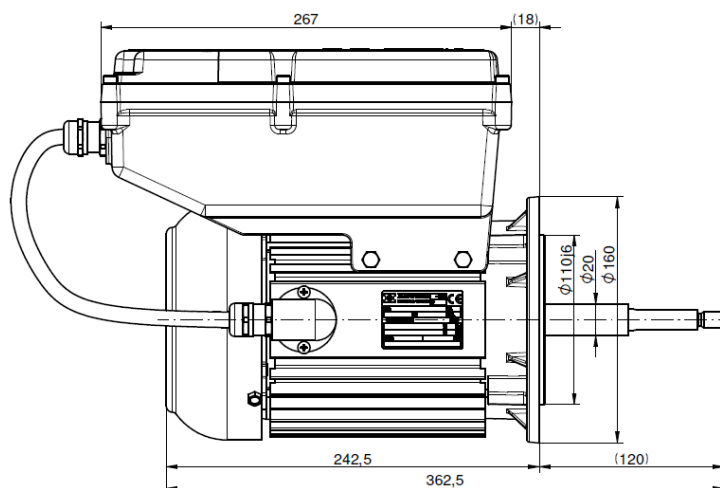


hamotic varicon

Compact synchronous drive 2.2 kW



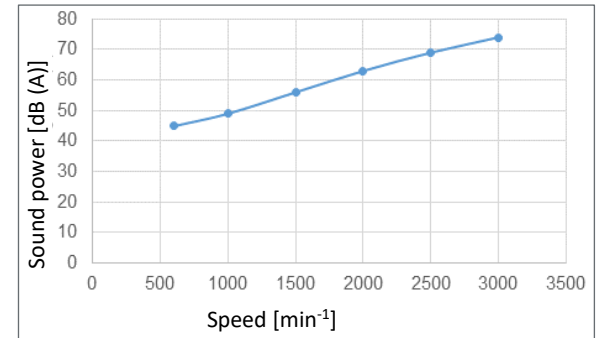
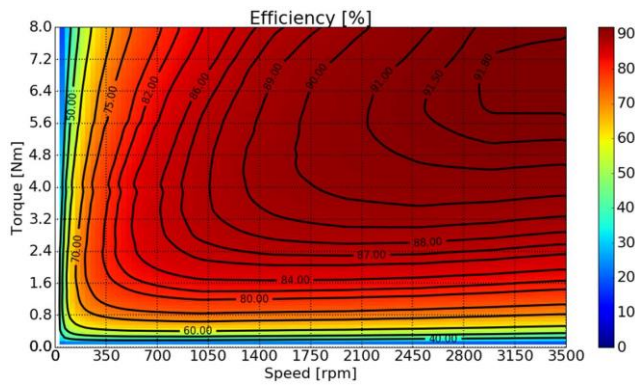
Technical data



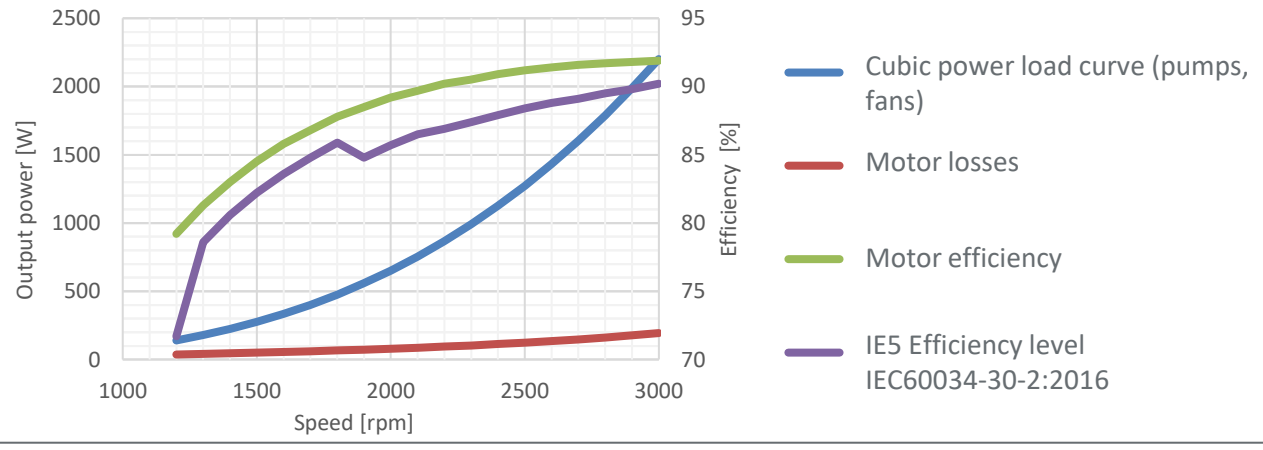
Description	Specification
Mechanical Design	Synchronous motor in aluminum housing with integrated fan and mounted motor control. The motor control unit can be removed from the motor and operated separately. Sufficiently good ventilation must be ensured.
Mains input voltage	230 VAC \pm 10 % 50/60Hz
Current consumption	\leq 12 A at rated operation
Internal fuse	16 A
Mains filter for interference reduction	Yes, suitable for household appliances
Integrated PFC	Yes
Motorbemessungsleistung	2.2 kW
Nominal Speed	0-3,000 rpm
Operation mode	S1
Protection class	IP 55
Cooling	IC 411 (integrated fan with housing at motor end)
Ambient temperature	\leq 45 °C , automatic derating at higher temperature
Set-up altitude	\leq 1,000 m, beyond that automatic derating
Manual operation	Foil keyboard with up to 8 keys, color design and assignment of the keys according to customer requirements, graphic display with plain text indication of the operating status

Description	Specification
External control connection	4 digital inputs against earth
	1 analog input 0-10 V without auxiliary voltage
	1 analog input 4-20 mA
	1 RS485 serial communication port typ up to 38,400 bps
	Protocol: Modbus RTU, CANopen or implementation of customer specific protocols
	2 potential-free relay outputs $\leq 24\text{ V}/1\text{ A}$
Operational safety	Monitoring of mains voltage, mains current, motor temperature and control functions
Noise level	Noise-optimized motor design
Lifetime	Stainless steel shaft and lifetime lubricated sealed ball bearings
	Electronic design > 30,000 hours nominal operation

Performance map **Noise level**



Performance curve



Notes

--