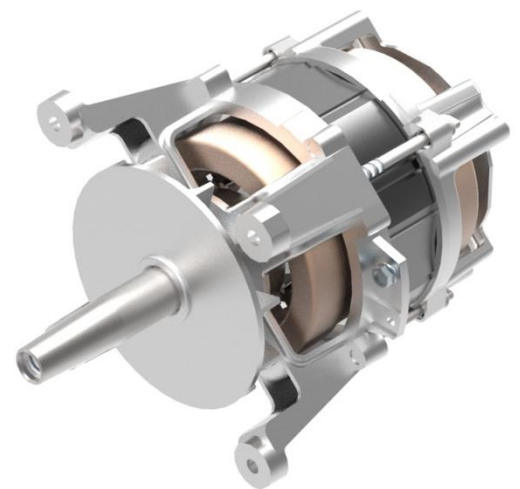
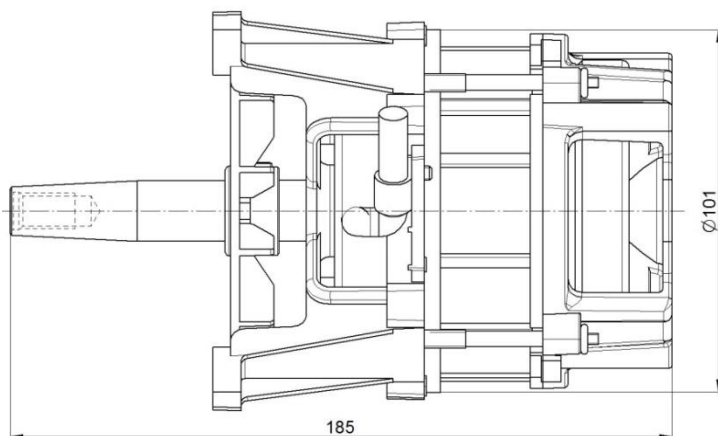


haventic compact L6

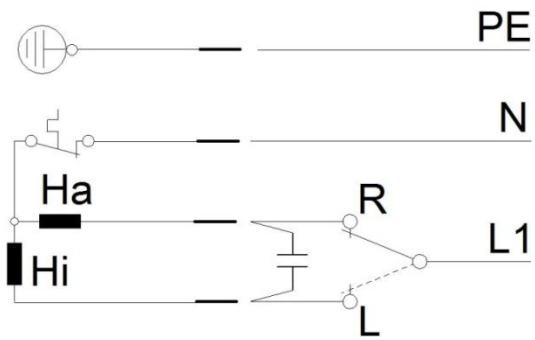


Technical data

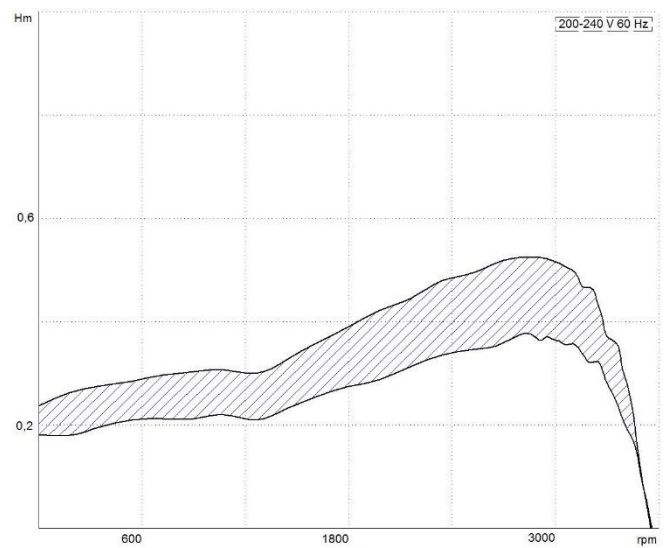
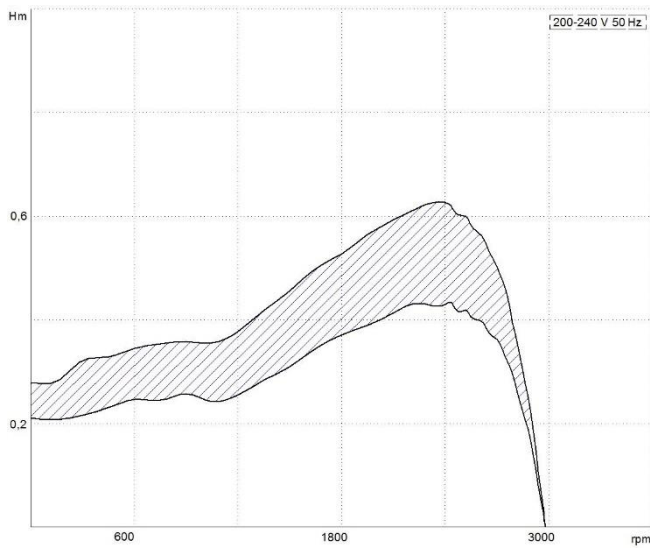


Description	Specification
Voltage	200–240 V
Frequency	50/60 Hz
Therm. Protector	1~ internal
Degree of protection	IP00
Duty up to 60° C	Higher on request
Insulation class	F
Phase	1~
Life time	Depends on application and ambient temperature
Direction of rotation	CW/CCW
Shaft design	Optional/customisable
Mounting – front/foot	Front
Output	0,1 kW
Connection (customisable)	Optional
Capacitor (customisable)	Optional
Approvals	On request (VDE, UL, CSA)

Wire diagram



Curve



Notes

