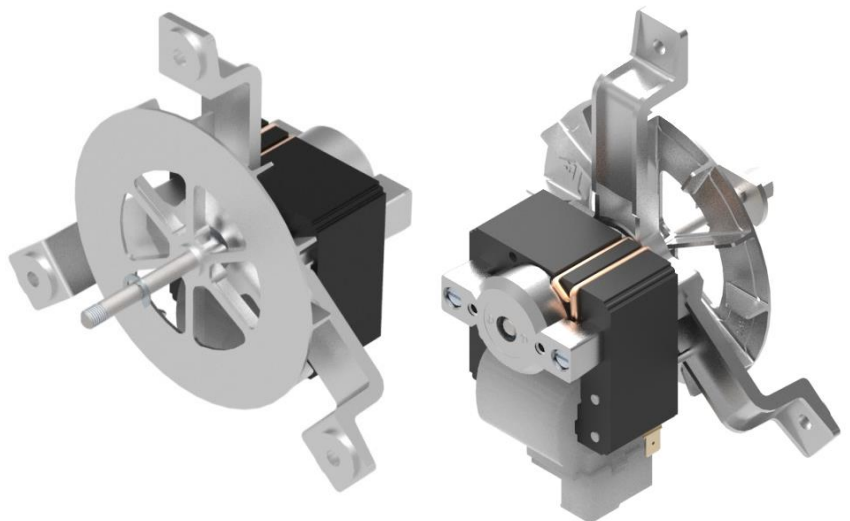
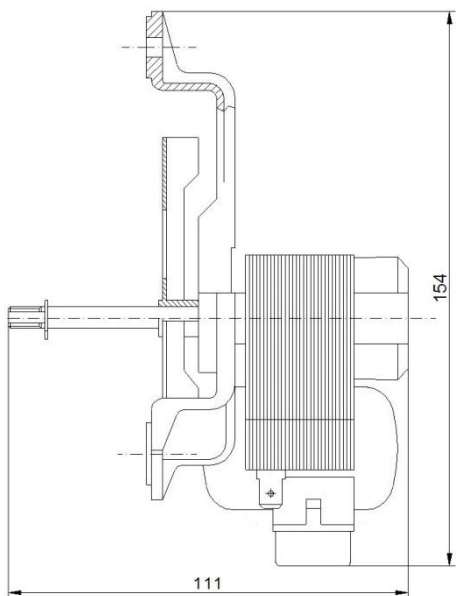


haventic EMB 30



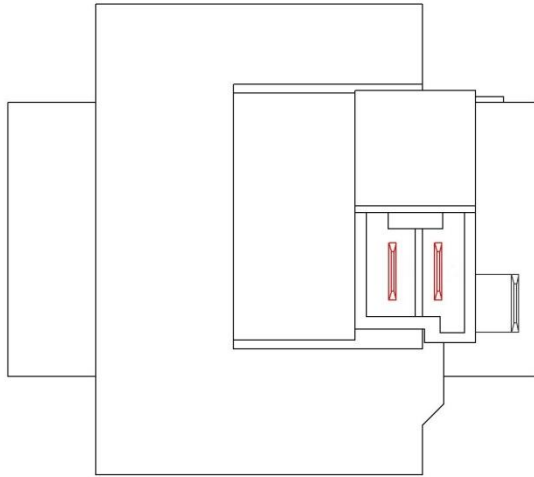
Technical data



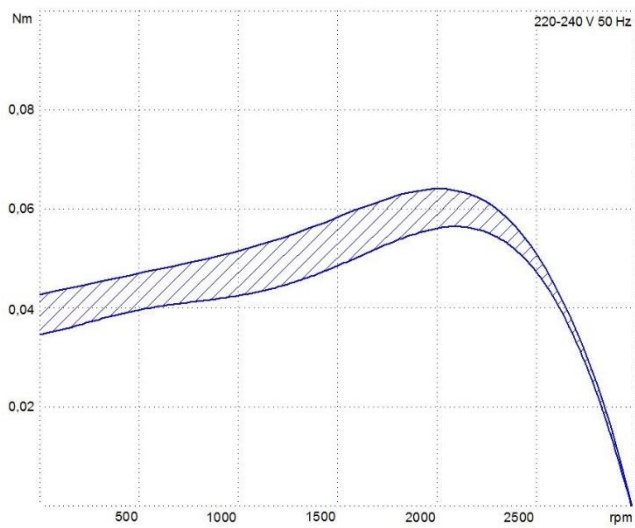
Description	Specification
Voltage	220–240 V
Frequency	50/60 Hz
Therm. Protector	Optional
Degree of protection	IP00
Duty up to 60° C	Higher on request
Insulation class	H
Phase	1~
Life time	Depends on application and ambient temperature
Direction of rotation	CW/CCW
Shaft design	Optional
Mounting – front/foot	Front
Output	10–15 W
Connection (customisable)	Optional (RAST5)
Capacitor (customisable)	Optional
Approvals	On request (VDE, UL, CSA, CCC)

Wire diagram

RAST 5



Curve



Notes

