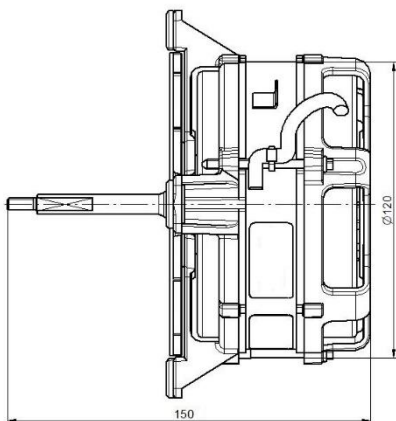


haventic compact L7 831

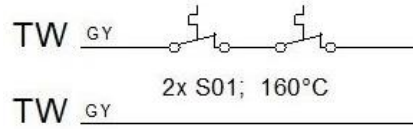
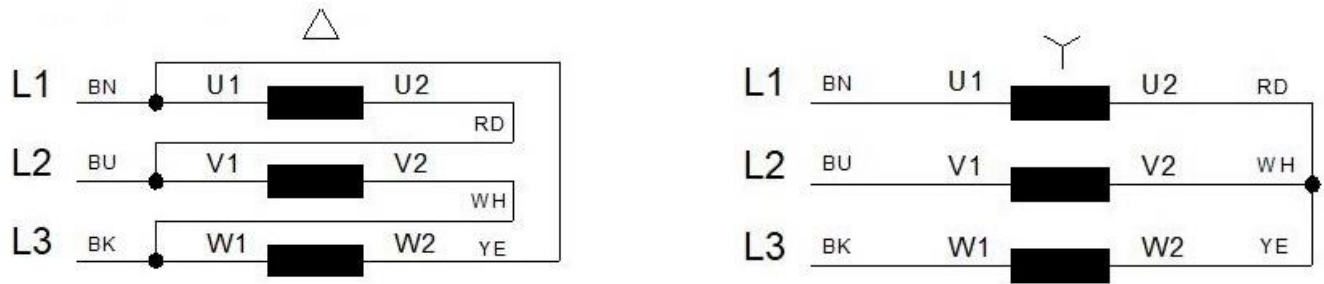


Technical data

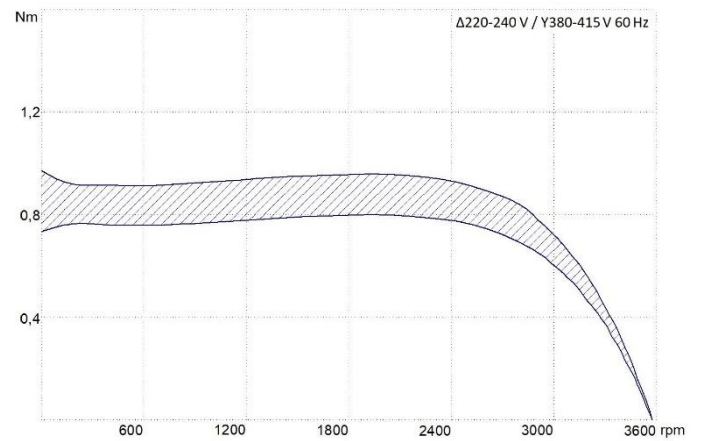
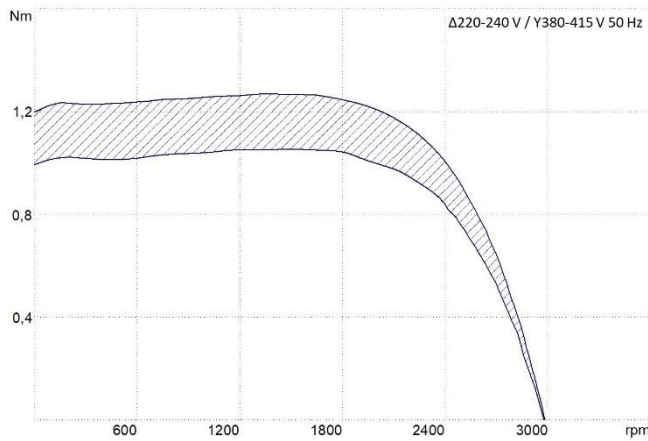


Description	Specification
Voltage	230 V/400 V
Frequency	50/60 Hz
Therm. Protector	3~ external
Degree of protection	IP00
Duty up to 60° C	Higher on request
Insulation class	F
Phase	3~
Life time	Depends on application and ambient temperature
Direction of rotation	CW/CCW
Shaft design	Optional
Mounting – front/foot	Front
Output	0,15 kW
Connection (customisable)	Optional
Capacitor (customisable)	Optional
Approvals	CE (On request VDE, UL, CSA, CCC)

Wire diagram



Curve



Notes

