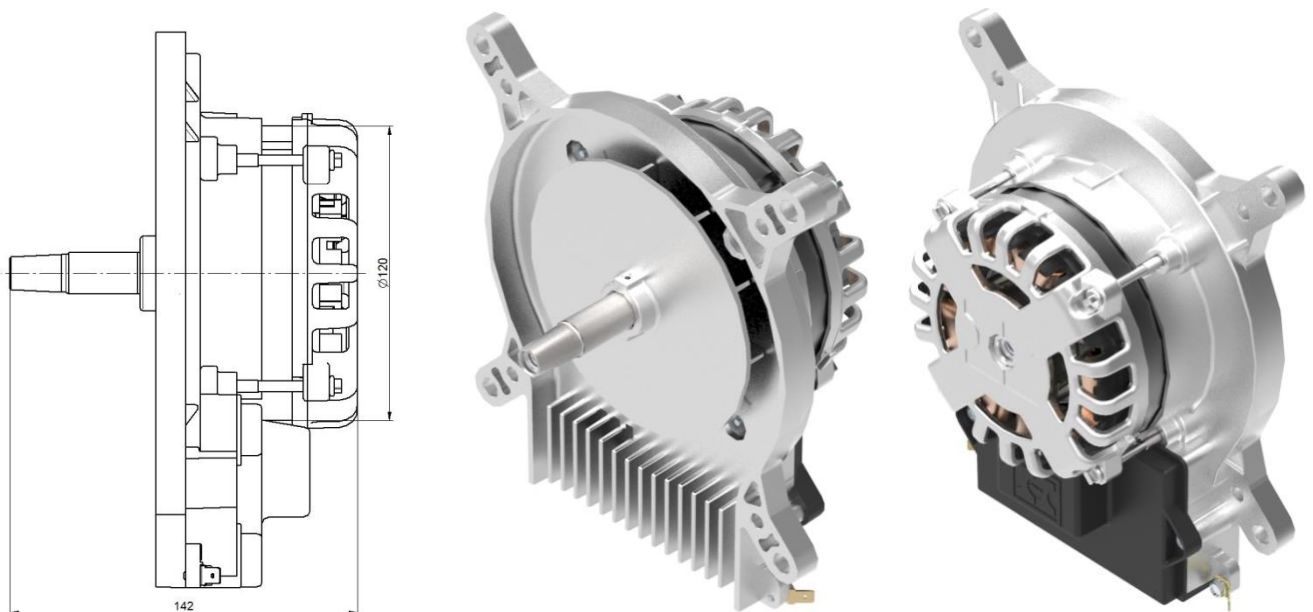


haventic SYL7 20

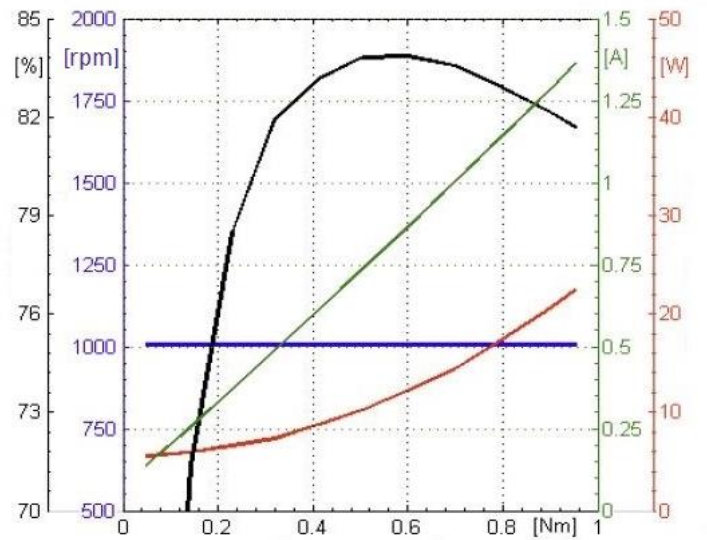
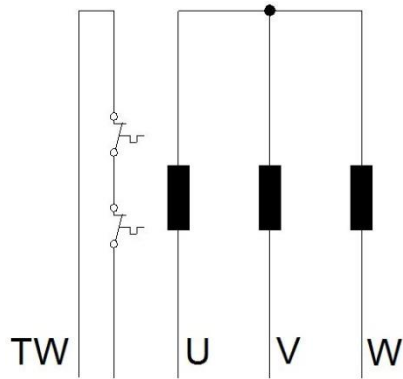


Technical data

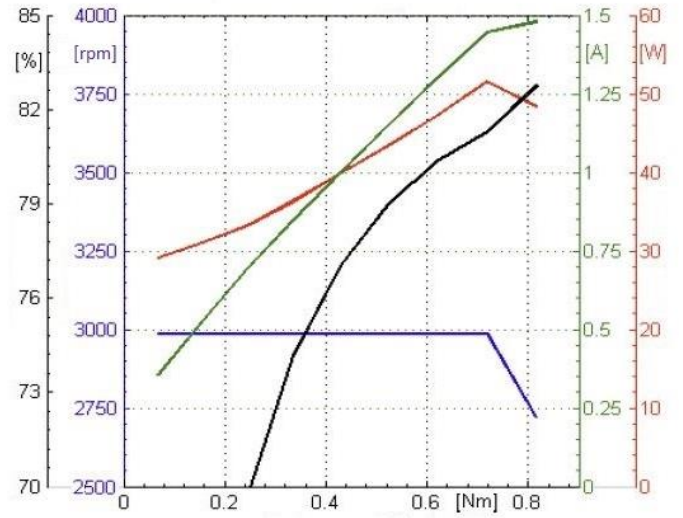
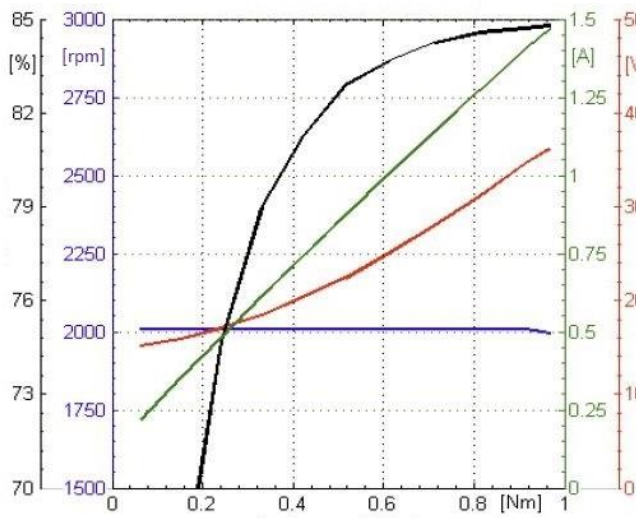


Description	Specification
Voltage	100–240 V
Frequency	50/60 Hz
Therm. Protector	3~ external
Degree of protection	IP00
Duty up to 60° C	Higher on request
Insulation class	F
Phase	1~ MAU (main adaption unit)
Life time	Depends on application and ambient temperature
Direction of rotation	CW/CCW
Shaft design	Optional/customisable
Mounting – front/foot	Front
Output	Up to 0,22 kW 3000 rpm
Connection (customisable)	Optional
Approvals	On request (VDE, UL, CSA, CCC)

Wire diagram



Curve



Notes

