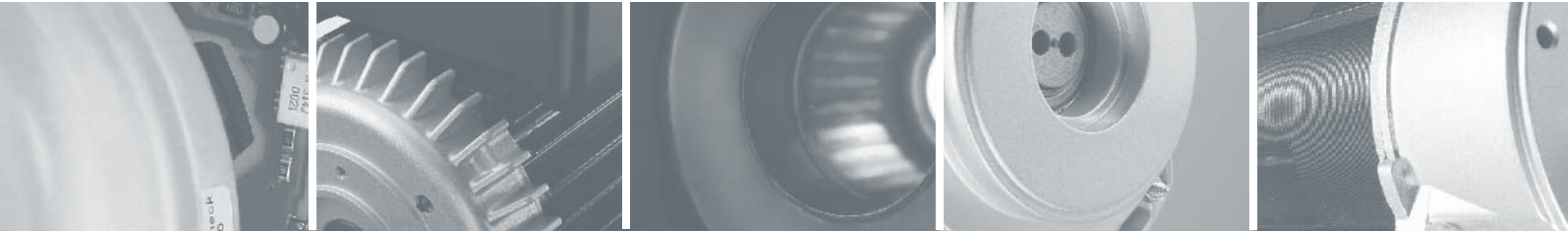


hamotic compact data sheet



Technical data

Three-phase AC motors – 400 V rated voltage, 50 Hz, current and speed apply to an oil viscosity of 40 mm²/sec

Three-phase AC motors, 2-pole oil-immersed motors							
Power P2	Operating mode	Type	Speed	Rated current	Rated torque	Efficiency	Moment of inertia
[kW]			[1/min]	[A]	[Nm]	[%]	[kgm ²]
0.55	S3-20%	UO7D2	2750	1.5	1.9	71	0.0004
0.75	S3-20%	UO7F2	2750	2.2	2.6	72	0.0005
1.1	S3-20%	UO7G2	2750	2.5	3.75	73	0.0006
1.5	S3-20%	UO7H2	2750	3.5	5.1	76	0.0007
2.2	S3-20%	UO7I2	2750	5.0	7.6	81	0.0099
3.0	S3-20%	UO7K2	2750	6.8	10.2	81	0.0012
3.7	S3-20%	UO7L2	2750	8.4	13.6	77	0.0139
3.0	S3-20%	UO9K2	2800	6.5	10.2	81	0.0016
4.0	S3-20%	UO9L2	2800	8.7	13.6	81	0.0022
5.5	S3-20%	UO9M2	2800	11.7	18.8	83	0.0029

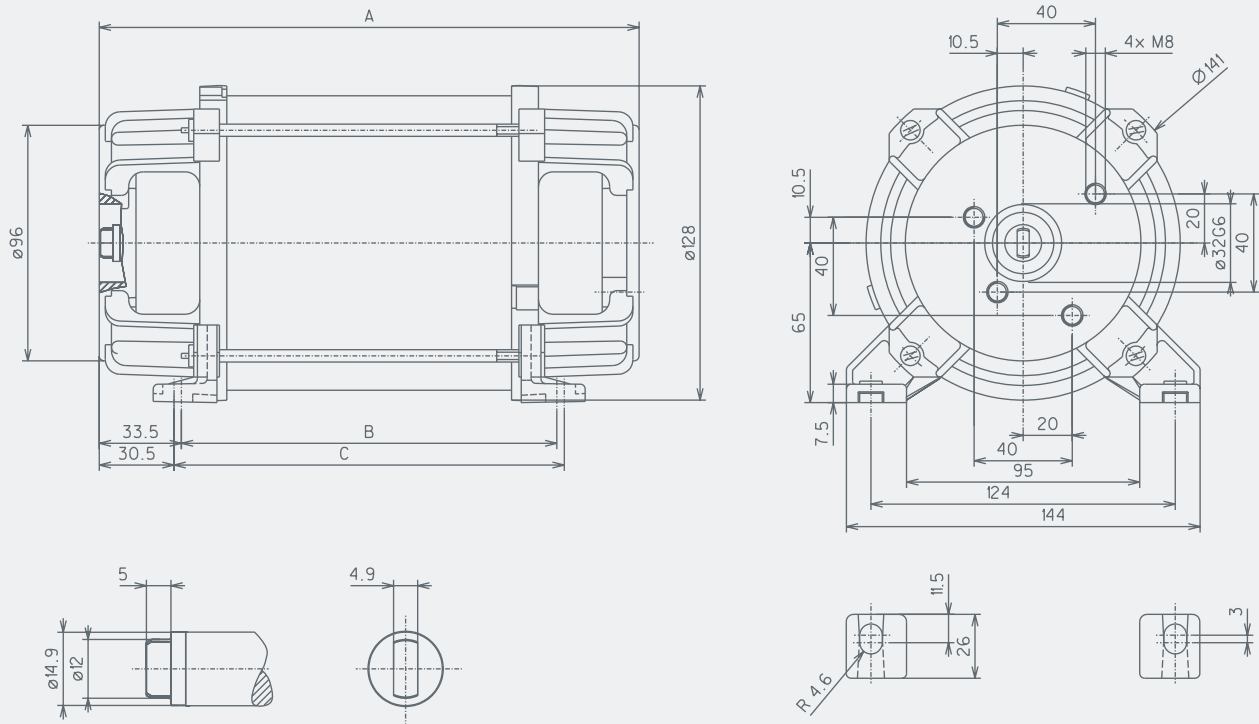
Three-phase AC motors – 400 V rated voltage, 50 Hz, current and speed apply to an oil viscosity of 40 mm²/sec

Three-phase AC motors, 4-pole oil-immersed motors							
Power P2	Operating mode	Type	Speed	Rated current	Rated torque	Efficiency	Moment of inertia
[kW]			[1/min]	[A]	[Nm]	[%]	[kgm ²]
0.55	S3-20%	UO7D4	1350	1.6	4.0	68	0.0009
0.75	S3-20%	UO7F4	1350	2.1	5.2	69	0.0011
1.1	S3-20%	UO7G4	1350	3.5	7.8	70	0.0013
1.5	S3-20%	UO7H4	1350	4.1	10.6	72	0.0015
2.2	S3-20%	UO7I4	1350	7.0	15.4	73	0.0022
2.2	S3-20%	UO9I4	1350	5.0	15.6	73	0.0003
3.0	S3-20%	UO9K4	1350	7.0	21.1	74	0.0036
4.0	S3-20%	UO9L4	1350	9.5	27.9	76	0.0048
5.5	S3-20%	UO9M4	1350	13.0	38.3	80	0.0060

Dimension sheets

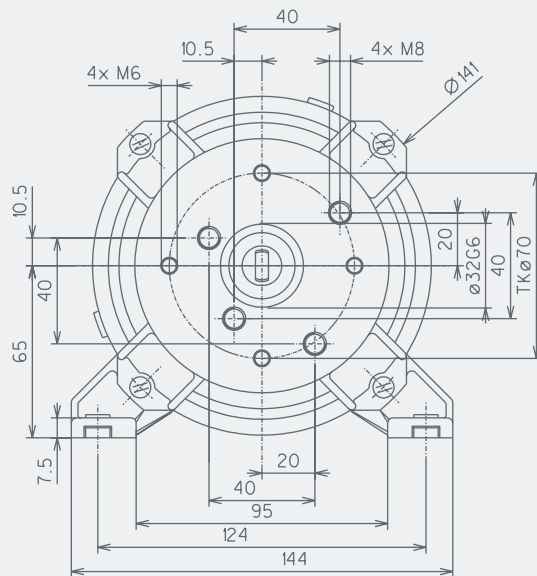
Oil-immersed motor type UO7

UO7 hole pattern 1 Foot mounting



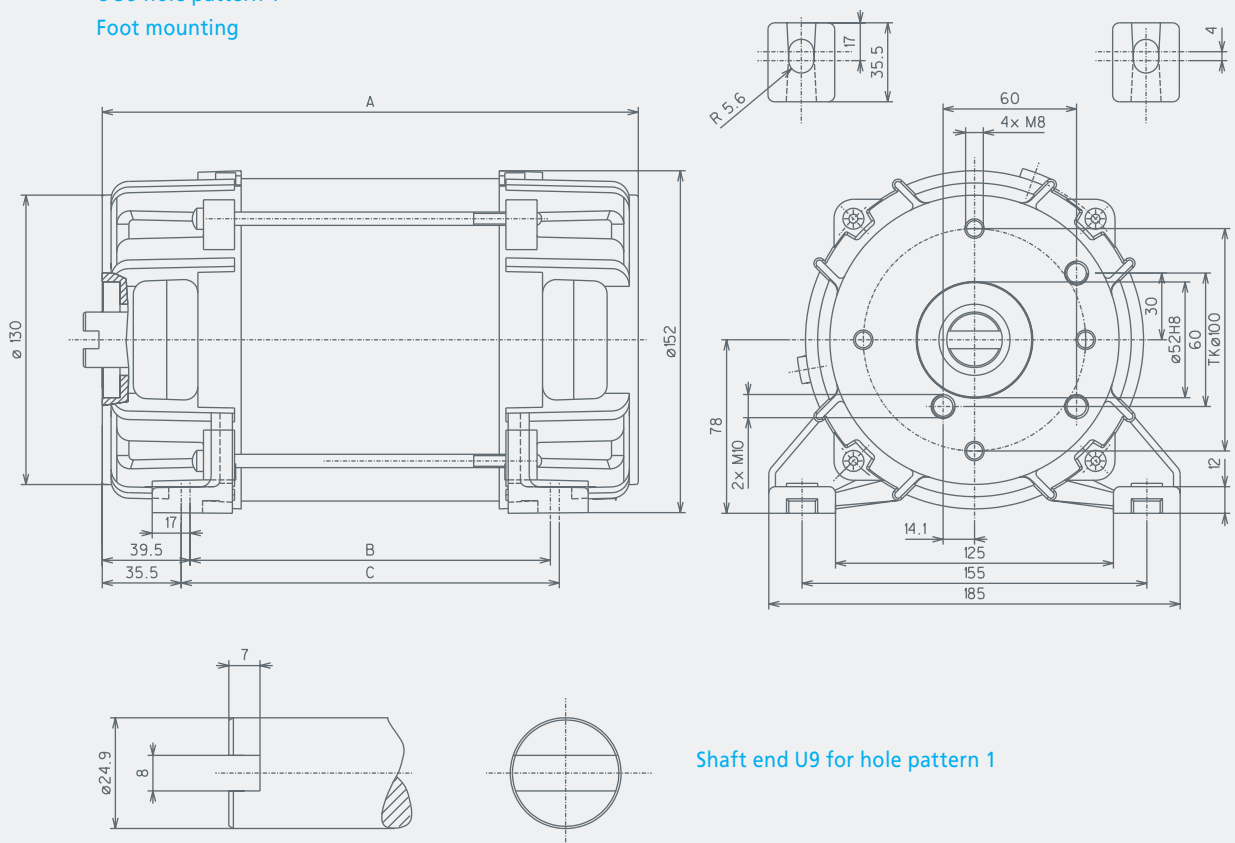
Type	A [mm]	B [mm]	C [mm]
UO7D2	140	73	79
UO7F2	150	83	89
UO7G2	160	93	99
UO7H2	170	103	109
UO7I2	200	133	139
UO7K2	220	153	159
UO7L2	240	173	179
UO7D4	150	83	89
UO7F4	160	93	99
UO7G4	170	103	109
UO7H4	195	128	134
UO7I4	220	153	159

Dimensions D, E, F, G according to customer requirements

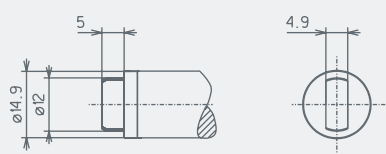


UO7 hole pattern 2 Foot mounting Also possible without foot

UO9 hole pattern 1
Foot mounting



Shaft end U9 for hole pattern 1



Shaft end U9 for hole pattern 2
Only up to 15.6 Nm possible

UO9 hole pattern 2
Foot mounting

